

1

2

3

4

5

6

A

A

B

B

C

C

D

D

1

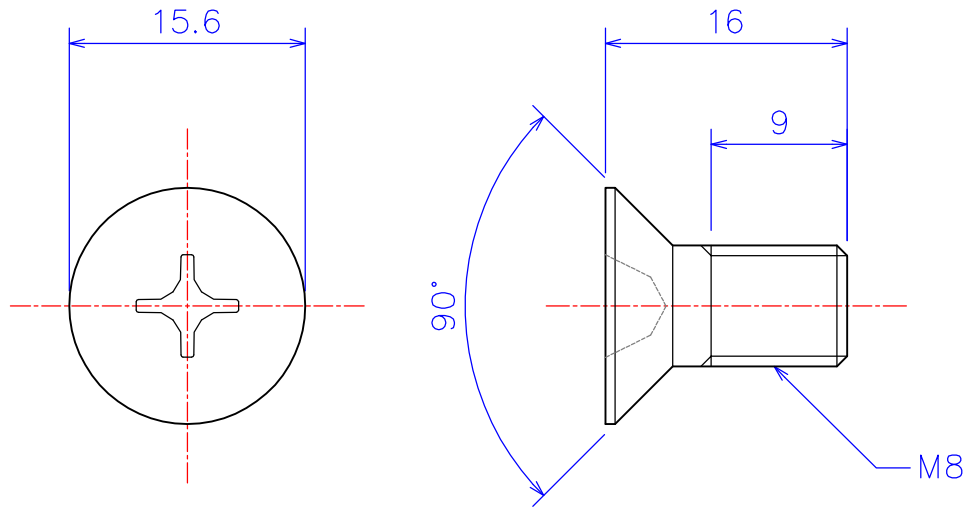
2

3

4

5

6



Method		Model ID / Item	ASM08-16 Flat Head Screw M8x16L Alumina Al <sub>2</sub> O <sub>3</sub>
Scale	2 : 1 (A4)	Model ID / Item	
Drawn	W.O. 2011.03.02		
		<b>KDA Corporation</b>	
		4-13-6 Nakarokugo Ohta-ku TOKYO 144-0055 JAPAN	