

1

2

3

4

5

6

A

A

B

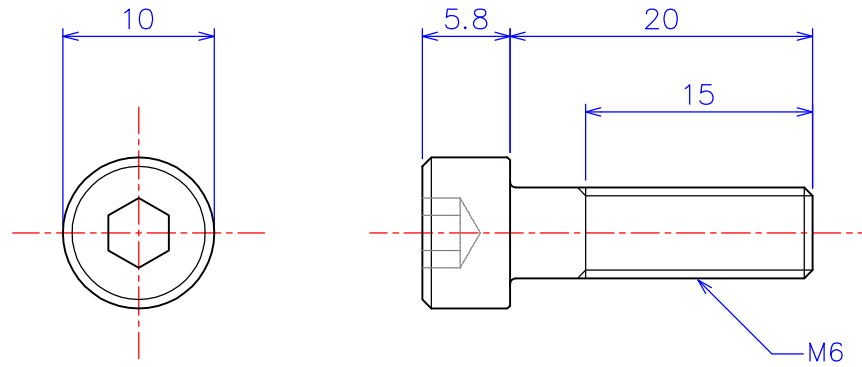
B

C

C

D

D



Method		Model ID / Item	ARAM06-20 Hexagon Socket Head Screw M6x20L Alumina Al <sub>2</sub> O <sub>3</sub>
Scale	2 : 1 (A4)	Model ID / Item	ZRAM06-20 Hexagon Socket Head Screw M6x20L Zirconia ZrO <sub>2</sub>
Drawn	W.O. 2011.03.01		
		<b>KDA Corporation</b>	
		4-13-6 Nakarokugo Ohta-ku TOKYO 144-0055 JAPAN	

1

2

3

4

5

6