

1

2

3

4

5

6

A

A

B

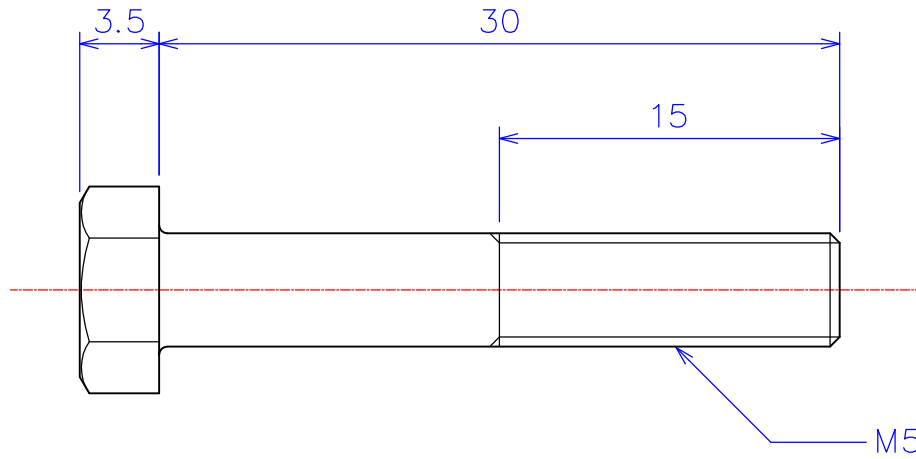
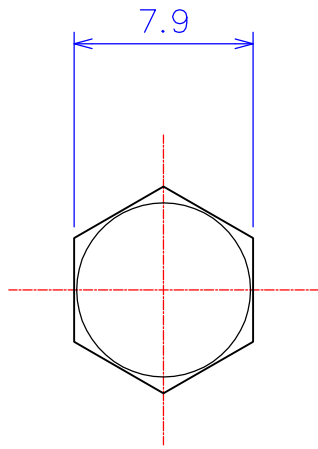
B

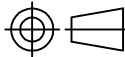
C

C

D

D



Method		Model ID / Item	ARM05-30 Hexagon Head Screw [Bolt] M5x30L Alumina Al ₂ O ₃
Scale	3 : 1 (A4)	Model ID / Item	ZRM05-30 Hexagon Head Screw [Bolt] M5x30L Zirconia ZrO ₂
Drawn	W.O. 2011.03.01		
		KDA Corporation	
		4-13-6 Nakarokugo Ohta-ku TOKYO 144-0055 JAPAN	

1

2

3

4

5

6