

1

2

3

4

5

6

A

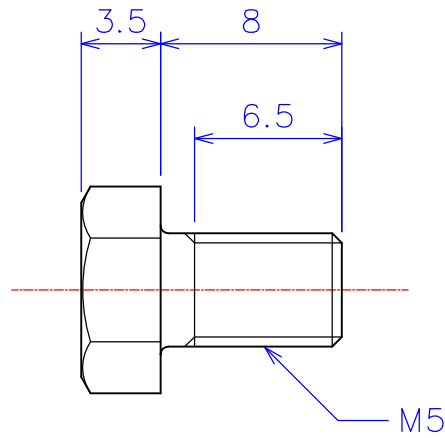
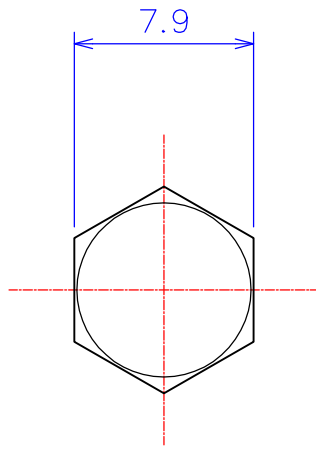
A

B

B

C

C



D

D

1

2

3

4

5

6

Method		Model ID / Item	ARM05-08	Hexagon Head Screw [Bolt] M5x8L Alumina Al ₂ O ₃
Scale	3 : 1 (A4)	Model ID / Item	ZRM05-08	Hexagon Head Screw [Bolt] M5x8L Zirconia ZrO ₂
Drawn	W.O. 2011.03.01			
		KDA Corporation		
		4-13-6 Nakarokugo Ohta-ku TOKYO 144-0055 JAPAN		