

1

2

3

4

5

6

A

A

B

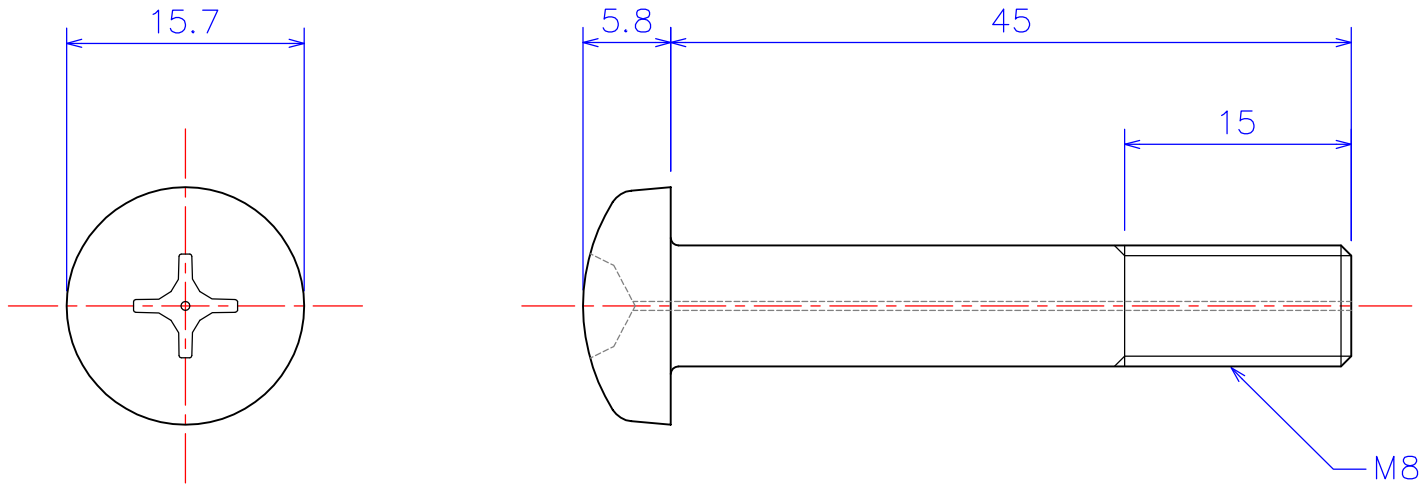
B

C

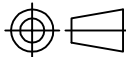
C

D

D



* Notes: Products' hole diameter and the position are rough.

Method		Model ID / Item	ANSHM08-45	Pan Head gas hole Screw M8x45L Alumina Al ₂ O ₃
Scale	2 : 1 (A4)	Model ID / Item		
Drawn	W.O. 2011.11.17			
		KDA Corporation		
		4-13-6 Nakarokugo Ohta-ku TOKYO 144-0055 JAPAN		

1

2

3

4

5

6