

1

2

3

4

5

6

A

B

C

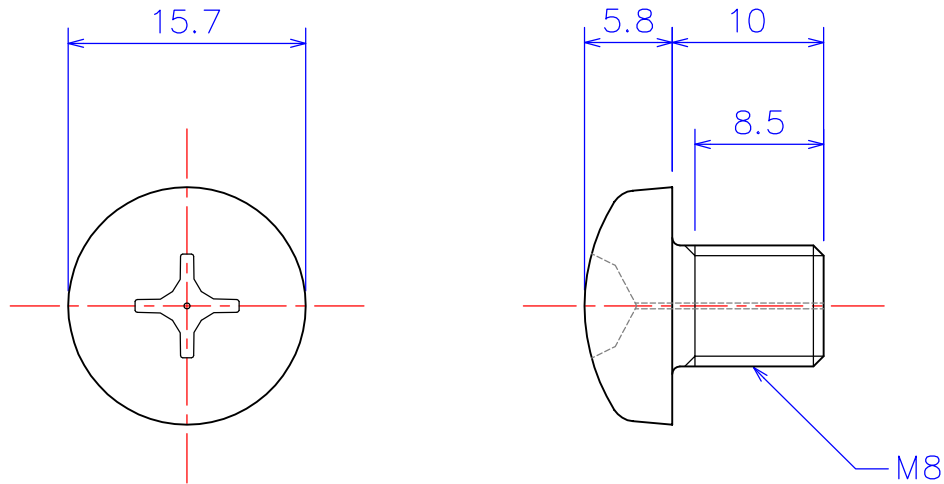
D

A

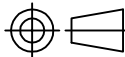
B

C

D



* Notes: Products' hole diameter and the position are rough.

Method		Model ID / Item	ANSHM08-10 Pan Head gas hole Screw M8x10L Alumina Al ₂ O ₃
Scale	2 : 1 (A4)	Model ID / Item	
Drawn	W.O. 2011.11.17		
		KDA Corporation	
		4-13-6 Nakarokugo Ohta-ku TOKYO 144-0055 JAPAN	

1

2

3

4

5

6