

1

2

3

4

5

6

A

A

B

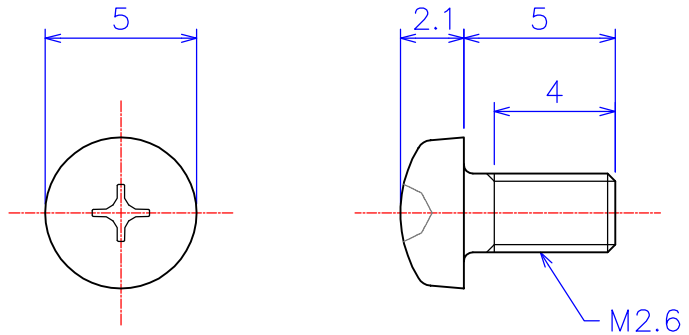
B

C

C

D

D



Method		Model ID / Item	ANM2.6-05 Pan Head Screw M2.6x5L Alumina Al ₂ O ₃
Scale	4 : 1	Model ID / Item	ZNM2.6-05 Pan Head Screw M2.6x5L Zirconia ZrO ₂
Drawn	W.O. 2011.11.11		
		KDA Corporation <small>4-13-6 Nakarokugo Ohta-ku TOKYO 144-0055 JAPAN</small>	

1

2

3

4

5

6