

1

2

3

4

5

6

A

B

C

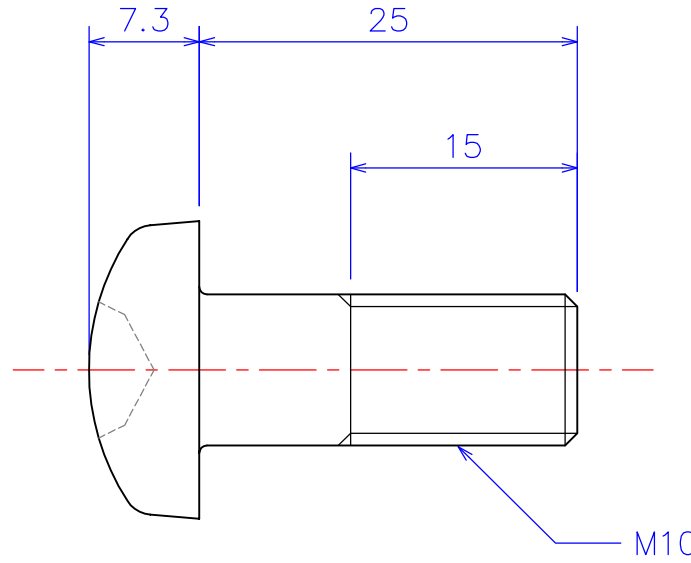
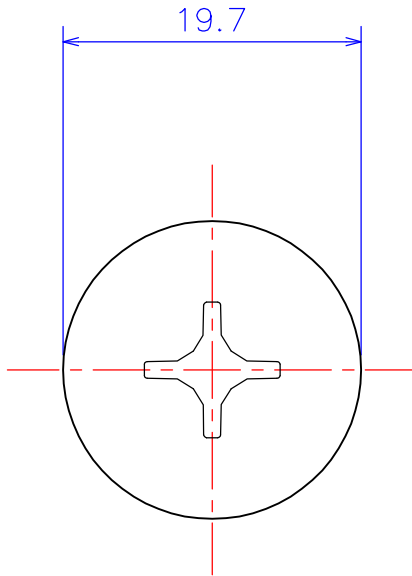
D

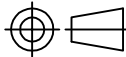
A

B

C

D



Method		Model ID / Item	ANM10-25 Pan Head Screw M10x25L Alumina Al ₂ O ₃
Scale	2 : 1 (A4)	Model ID / Item	
Drawn	W.O. 2011.11.14		
		KDA Corporation	
		4-13-6 Nakarokugo Ohta-ku TOKYO 144-0055 JAPAN	

1

2

3

4

5

6