

1

2

3

4

5

6

A

A

B

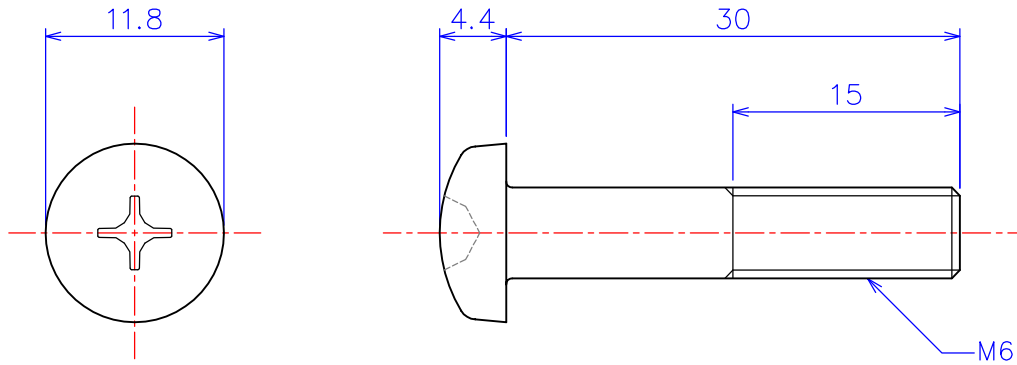
B

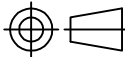
C

C

D

D



Method		Model ID / Item	ANM06-30	Pan Head Screw M6x30L Alumina Al ₂ O ₃
Scale	2 : 1 (A4)	Model ID / Item	ZNM06-30	Pan Head Screw M6x30L Zirconia ZrO ₂
Drawn	W.O. 2011.11.11			
		KDA Corporation		
		4-13-6 Nakarokugo Ohta-ku TOKYO 144-0055 JAPAN		

1

2

3

4

5

6