

1

2

3

4

5

6

A

A

B

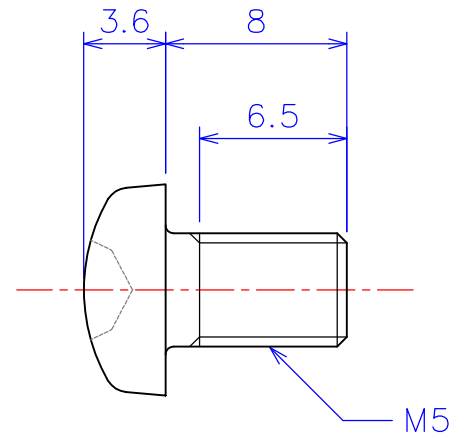
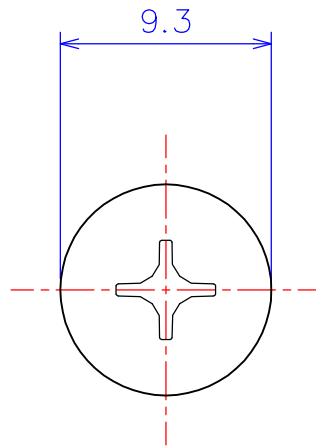
B

C

C

D

D



| | | | |
|--------|-----------------|------------------------------------------------|-------------------------------------------------------------------------|
| Method | | Model ID / Item | ANM05-08 Pan Head Screw M5x8L Alumina Al ₂ O ₃ |
| Scale | 3 : 1 (A4) | Model ID / Item | ZNM05-08 Pan Head Screw M5x8L Zirconia ZrO ₂ |
| Drawn | W.O. 2011.11.11 | | |
| | | KDA Corporation | |
| | | 4-13-6 Nakarokugo Ohta-ku TOKYO 144-0055 JAPAN | |

1

2

3

4

5

6