

1

2

3

4

5

6

A

A

B

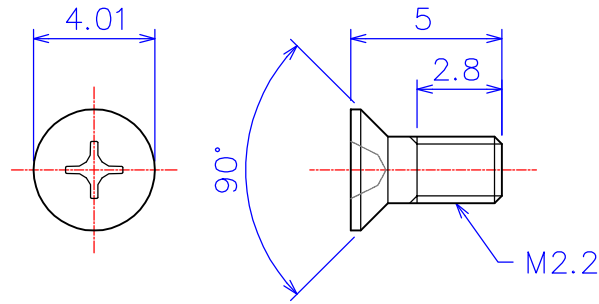
B

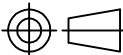
C

C

D

D



Method		Model ID / Item	ASM2.2-05 Flat Head Screw M2.2x5L Alumina Al ₂ O ₃
Scale	4 : 1	Model ID / Item	ZSM2.2-05 Flat Head Screw M2.2x5L Zirconia ZrO ₂
Drawn	W.O. 2011.03.01	<p>KDA Corporation 4-13-6 Nakarokugo Ohta-ku TOKYO 144-0055 JAPAN</p>	

1

2

3

4

5

6