

1

2

3

4

5

6

A

A

B

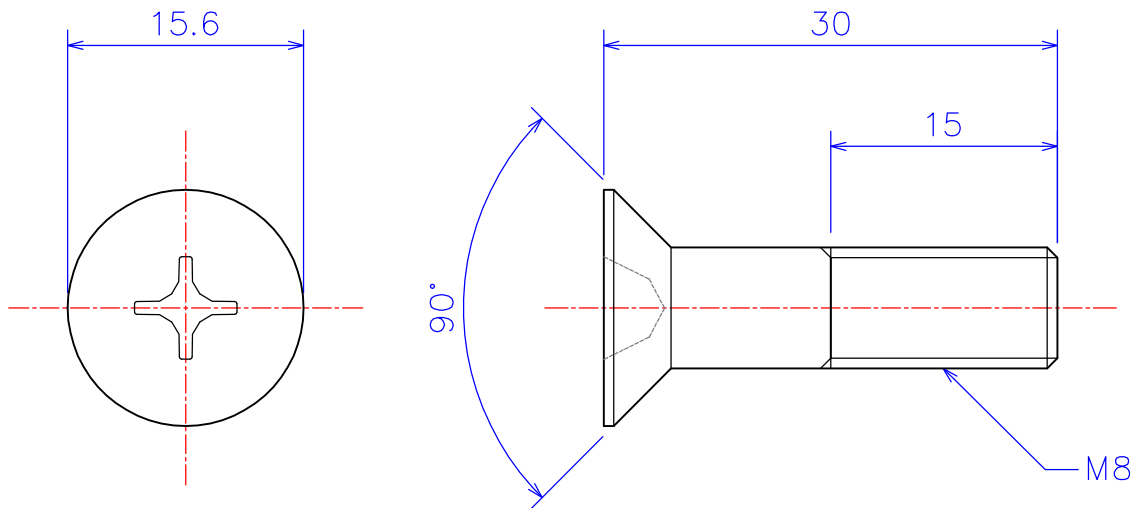
B

C

C

D

D



| | | | | |
|--------|-----------------|--|----------|--|
| Method | | Model ID / Item | ASM08-30 | Flat Head Screw M8x30L Alumina Al ₂ O ₃ |
| Scale | 2 : 1 (A4) | Model ID / Item | | |
| Drawn | W.O. 2011.03.02 | | | |
| | | 4-13-6 Nakarokugo Ohta-ku TOKYO 144-0055 JAPAN | | |
| | | | | |
| | | | | |

1

2

3

4

5

6