

1

2

3

4

5

6

A

A

B

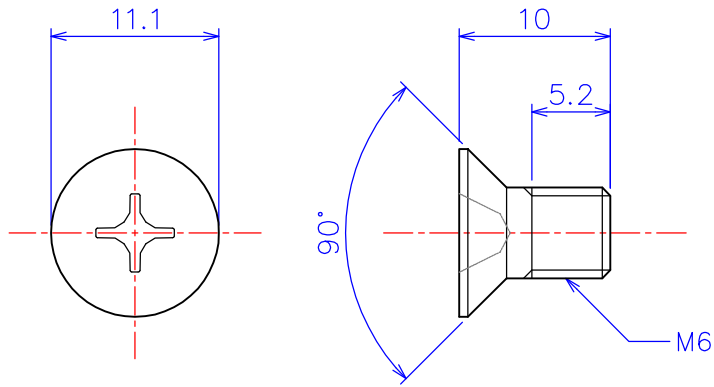
B

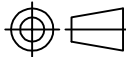
C

C

D

D



| | | | | |
|--------|---|--|----------|--|
| Method |  | Model ID / Item | ASM06-10 | Flat Head Screw M6x10L Alumina Al ₂ O ₃ |
| Scale | 2 : 1 (A4) | Model ID / Item | ZSM06-10 | Flat Head Screw M6x10L Zirconia ZrO ₂ |
| Drawn | W.O. 2011.03.01 | | | |
| | | KDA Corporation | | |
| | | 4-13-6 Nakarokugo Ohta-ku TOKYO 144-0055 JAPAN | | |

1

2

3

4

5

6