

1

2

3

4

5

6

A

A

B

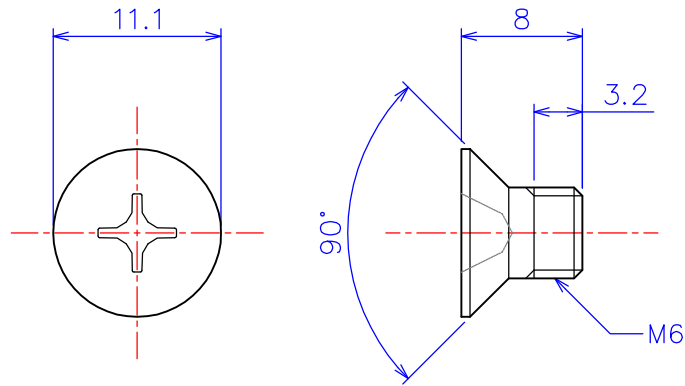
B

C

C

D

D



Method		Model ID / Item	ASM06-08	Flat Head Screw M6x8L Alumina Al ₂ O ₃
Scale	2 : 1 (A4)	Model ID / Item	ZSM06-08	Flat Head Screw M6x8L Zirconia ZrO ₂
Drawn	W.O. 2011.03.01	<p>KDA Corporation 4-13-6 Nakarokugo Ohta-ku TOKYO 144-0055 JAPAN</p>		

1

2

3

4

5

6