

1

2

3

4

5

6

A

A

B

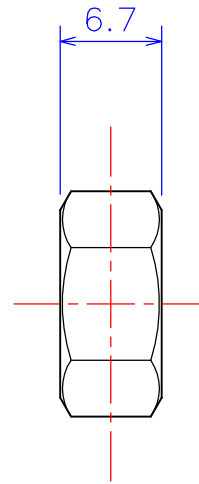
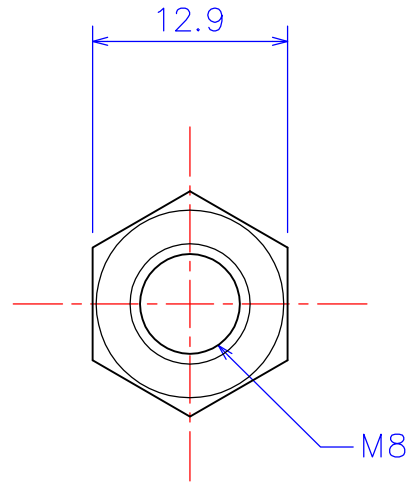
B

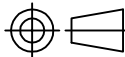
C

C

D

D



Method		Model ID / Item	ARNM08-6.7	Hexagon Nut M8x6.7t Alumina Al <sub>2</sub> O <sub>3</sub>
Scale	2 : 1 (A4)	Model ID / Item		
Drawn	W.O. 2011.03.02			
		<b>KDA Corporation</b>		
		4-13-6 Nakarokugo Ohta-ku TOKYO 144-0055 JAPAN		

1

2

3

4

5

6