

1

2

3

4

5

6

A

A

B

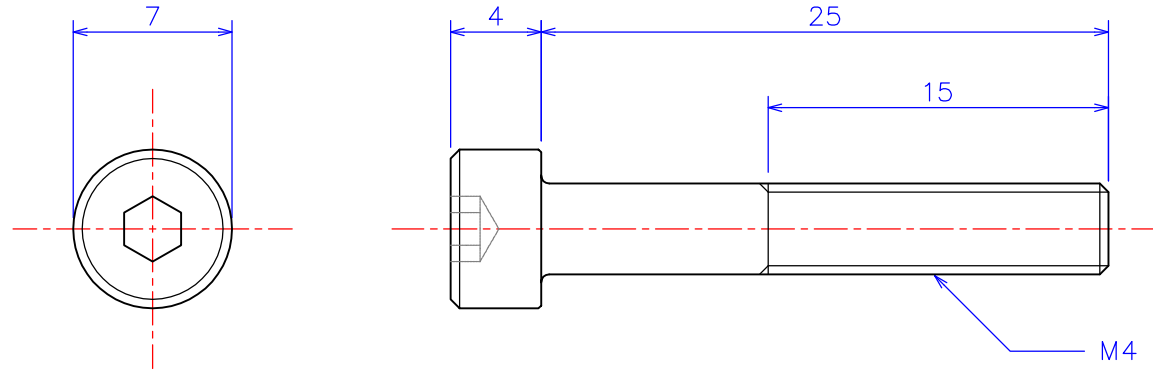
B

C

C

D

D



Method		Model ID / Item	ARAM04-25 Hexagon Socket Head Screw M4x25L Alumina Al ₂ O ₃
Scale	3 : 1 (A4)	Model ID / Item	ZRAM04-25 Hexagon Socket Head Screw M4x25L Zirconia ZrO ₂
Drawn	W.O. 2011.03.01	<p>KDA Corporation 4-13-6 Nakarokugo Ohta-ku TOKYO 144-0055 JAPAN</p>	

1

2

3

4

5

6