

1

2

3

4

5

6

A

A

B

B

C

C

D

D

1

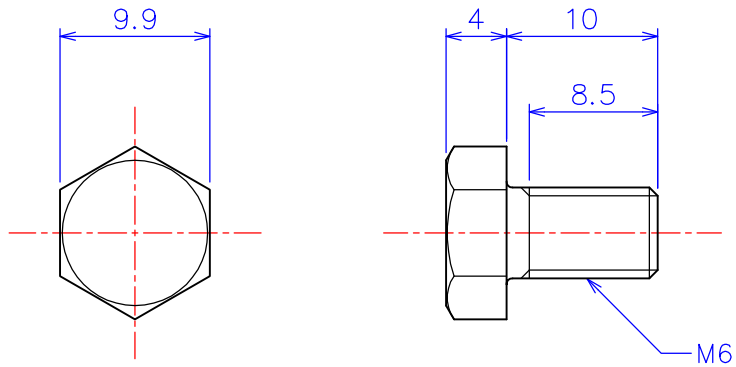
2

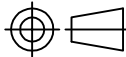

3

4

5

6



Method		Model ID / Item	ARM06-10	Hexagon Head Screw [Bolt] M6x10L Alumina Al ₂ O ₃
Scale	2 : 1 (A4)	Model ID / Item	ZRM06-10	Hexagon Head Screw [Bolt] M6x10L Zirconia ZrO ₂
Drawn	W.O. 2011.03.01			
		 4-13-6 Nakarokugo Ohta-ku TOKYO 144-0055 JAPAN		