

1

2

3

4

5

6

A

A

B

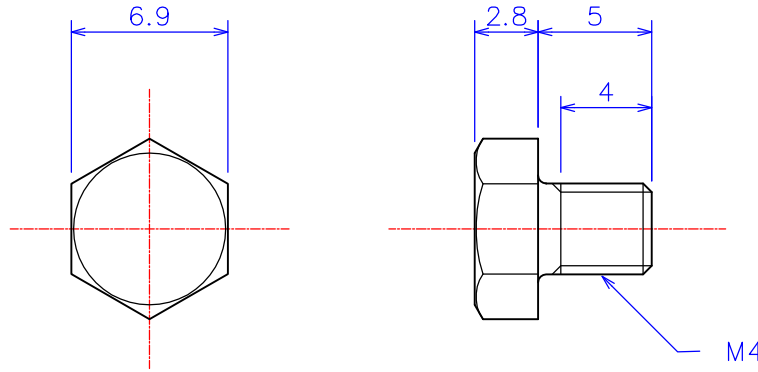
B

C

C

D

D



| | | | |
|--------|-----------------|--|--|
| Method | | Model ID / Item | ARM04-05 Hexagon Head Screw [Bolt] M4x5L Alumina Al ₂ O ₃ |
| Scale | 3 : 1 (A4) | Model ID / Item | ZRM04-05 Hexagon Head Screw [Bolt] M4x5L Zirconia ZrO ₂ |
| Drawn | W.O. 2011.03.01 | | |
| | | KDA Corporation | |
| | | 4-13-6 Nakarokugo Ohta-ku TOKYO 144-0055 JAPAN | |

1

2

3

4

5

6