

1

2

3

4

5

6

A

A

B

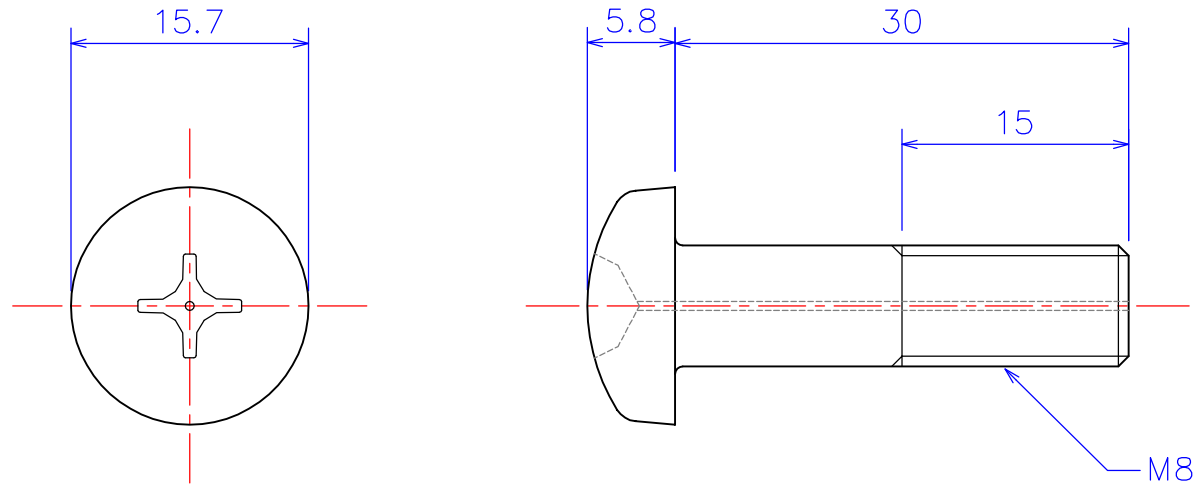
B

C

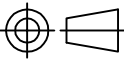

C

D

D



* Notes: Products' hole diameter and the position are rough.

Method 	Model ID / Item ANSHM08-30 Pan Head gas hole Screw M8x30L Alumina Al ₂ O ₃
Scale 2 : 1 (A4)	Model ID / Item
Drawn W.O. 2011.11.17	
 4-13-6 Nakarokugo Ohta-ku TOKYO 144-0055 JAPAN	

1

2

3

4

5

6