

1

2

3

4

5

6

A

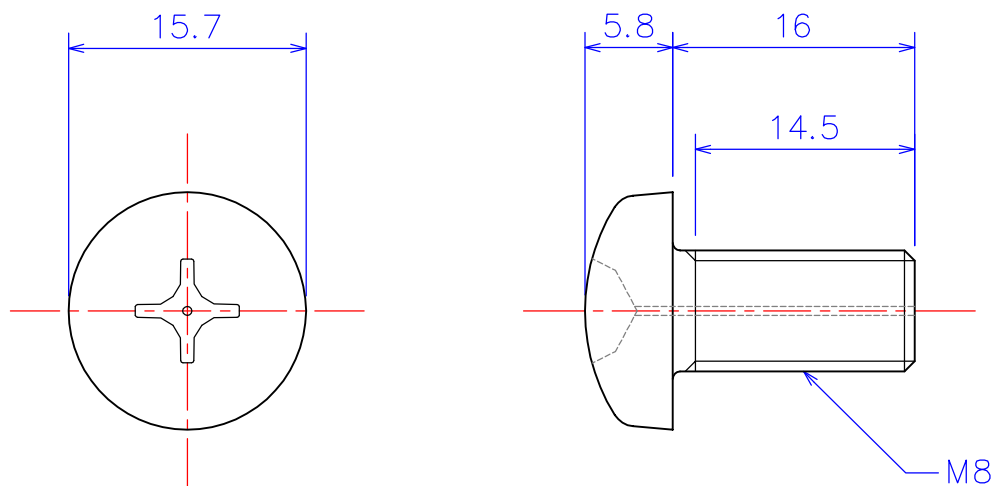
B

C

A

B

C



\* Notes: Products' hole diameter and the position are rough.

Method 	Model ID / Item <b>ANSHM08-16</b> Pan Head gas hole Screw M8x16L Alumina Al <sub>2</sub> O <sub>3</sub>
Scale <b>2 : 1 (A4)</b>	Model ID / Item
Drawn W.O. 2011.11.18	
	<b>KDA Corporation</b> 4-13-6 Nakarokugo Ohta-ku TOKYO 144-0055 JAPAN

1

2

3

4

5

6

D

D