

1

2

3

4

5

6

A

A

B

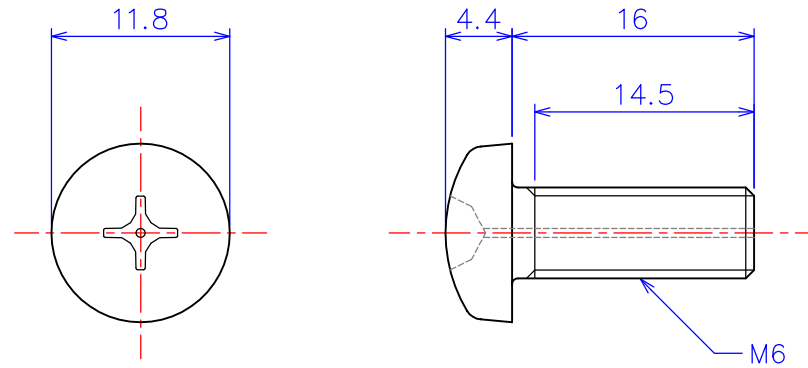
B

C

C

D

D



* Notes: Products' hole diameter and the position are rough.

Method		Model ID / Item	ANSHM06-16	Pan Head gas hole Screw M6x16L Alumina Al ₂ O ₃
Scale	2 : 1 (A4)	Model ID / Item	ZNSHM06-16	Pan Head gas hole Screw M6x16L Zirconia ZrO ₂
Drawn	W.O. 2011.11.17	 4-13-6 Nakarokugo Ohta-ku TOKYO 144-0055 JAPAN		

1

2

3

4

5

6