

1

2

3

4

5

6

A

A

B

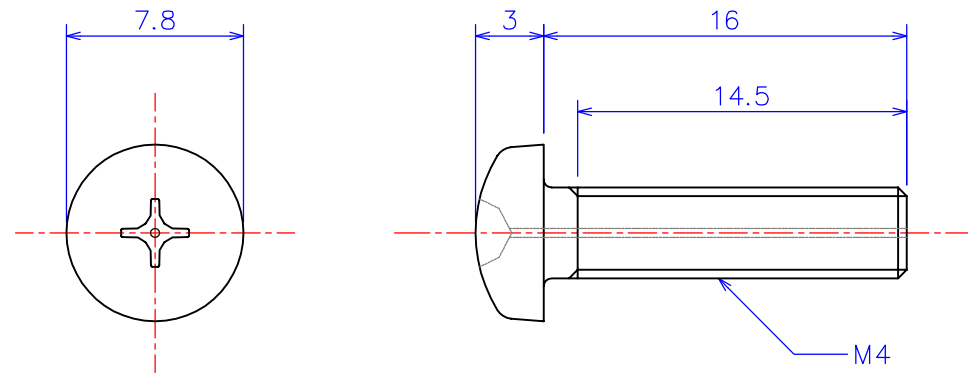
B

C

C

D

D



* Notes: Products' hole diameter and the position are rough.

| | | | | |
|--------|-----------------|--|------------|--|
| Method | | Model ID / Item | ANSHM04-16 | Pan Head gas hole Screw M4x16L Alumina Al ₂ O ₃ |
| Scale | 3 : 1 (A4) | Model ID / Item | ZNSHM04-16 | Pan Head gas hole Screw M4x16L Zirconia ZrO ₂ |
| Drawn | W.O. 2011.11.17 | <p>KDA Corporation 4-13-6 Nakarokugo Ohta-ku TOKYO 144-0055 JAPAN</p> | | |
| | | | | |
| | | | | |

1

2

3

4

5

6