

1

2

3

4

5

6

A

A

B

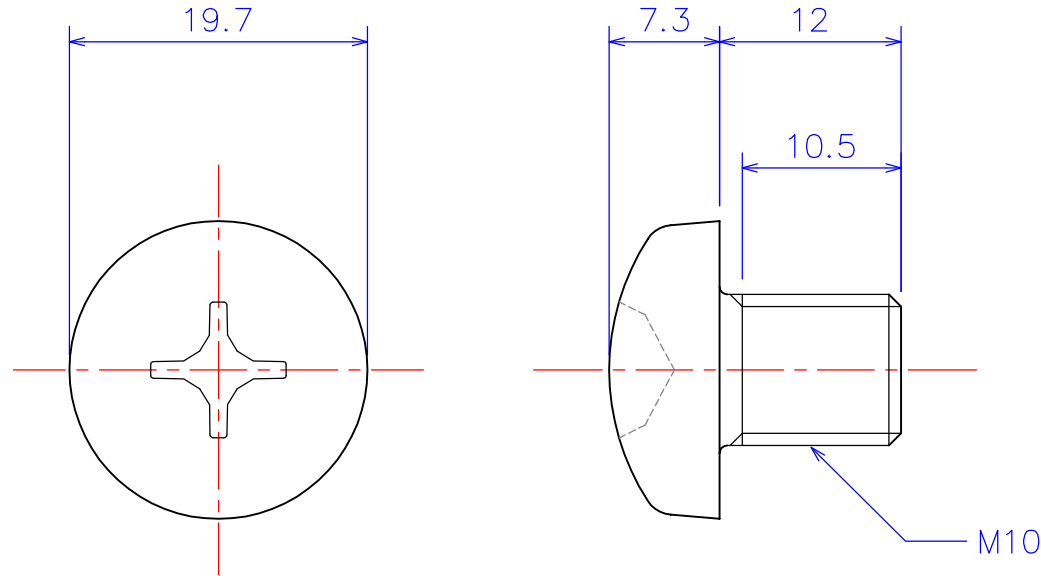
B

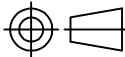
C

C

D

D



Method		Model ID / Item	ANM10-12 Pan Head Screw M10x12L Alumina Al ₂ O ₃
Scale	2 : 1 (A4)	Model ID / Item	
Drawn	W.O. 2011.11.11		
		KDA Corporation	
		4-13-6 Nakarokugo Ohta-ku TOKYO 144-0055 JAPAN	

1

2

3

4

5

6